



Sricom 7/16 series RF connectors have 50 Ohms Impedance and it has optimum electrical performance Upto 7.5 GHz. Suitable for areas working under low wave distortion and minimum VSWR. It has a very rugged construction to withstand open to the atmospheric conditions.

TECHNICAL SPECIFICATIONS

ELECTRICAL	
Impedance	50 Ohms
Frequency Range	0 - 7.5 GHz
VSWR	Straight 1.3 Max Right Angle 1.5 Max
Dielectric Withstanding	4000 RMS
Insulation Resistance	5000 Mega Ohms

MECHANICAL	
Mating	M29 x 1.5 Threaded Coupling
Durability	500 Cycles
Contact retention	45 lbs

FINISH	
Body	Nickel Plated
Centre Contact	Silver Plated
Outer Contact	Silver Plated

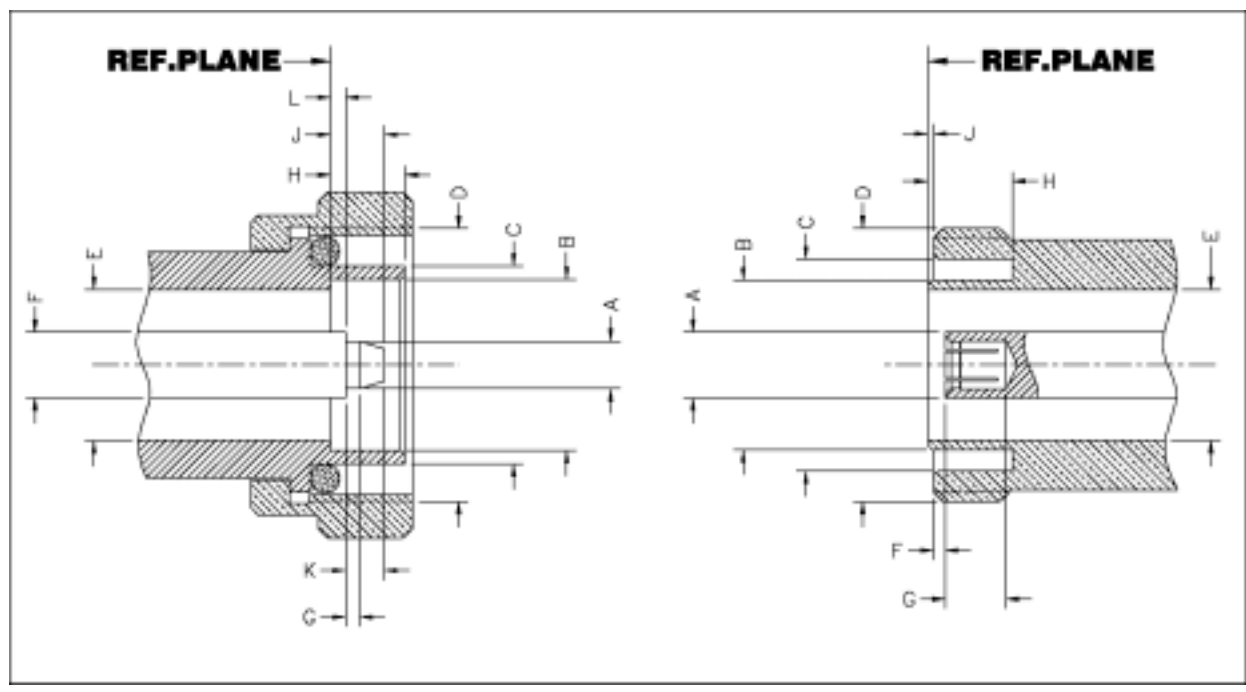


Interface Dimensions – SMB Series

7 / 16

PLUG

JACK



LTR (dim. of)	PLUG		JACK	
	MIN	MAX	MIN	MAX
A	4.96	5.04	6.97	7.03
B	18.03	18.21	-	18
C	20.6	21.4	22.1	22.9
D	M29 x 1.50 pitch 2B		M29 x 1.50 pitch 2B	
E	15.85	16.25	15.85	16.25
F	6.97	7.03	1.77	2.07
G	1.4	1.6	5	-
H	7	9	8.1	-
J	7	8	0.5	0.7
K	-	4.5	-	-
L	1.47	1.77	-	-



CONTENTS

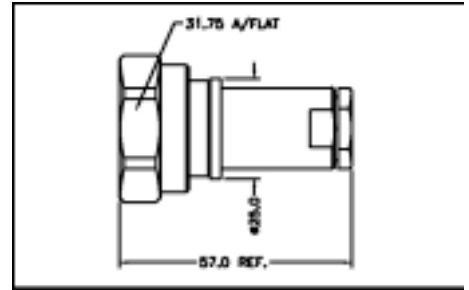
SEARCH

PREVIOUS

NEXT

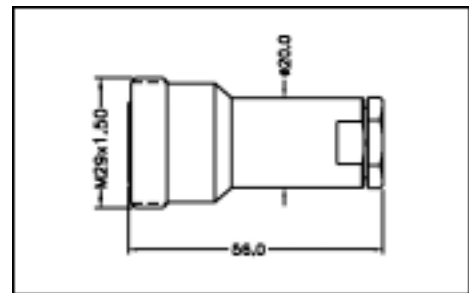
Straight Plug

Order Code	Cable Group
SC23-M 01	165, 213, 214, 215 225



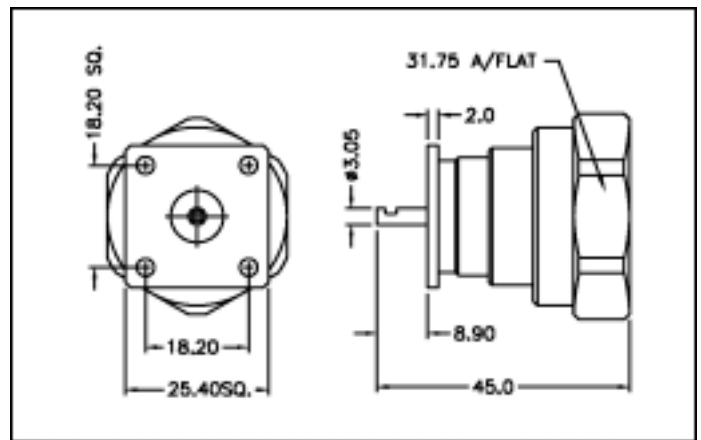
Straight Jack

Order Code	Cable Group
SC23-SR 01	165, 213, 214, 215 225



Square Flange Receptacle Plug

Order Code	Impedance Ohms
SC23-PM 01	50



Square Flange Receptacle Plug

Order Code	Impedance Ohms
SC23-F 01	50

