



CONTENTS

SEARCH

PREVIOUS

NEXT

BALUN

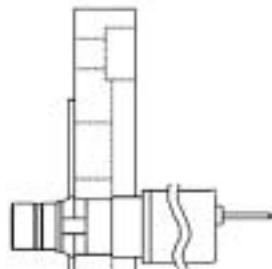
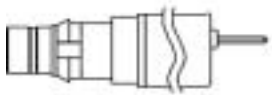
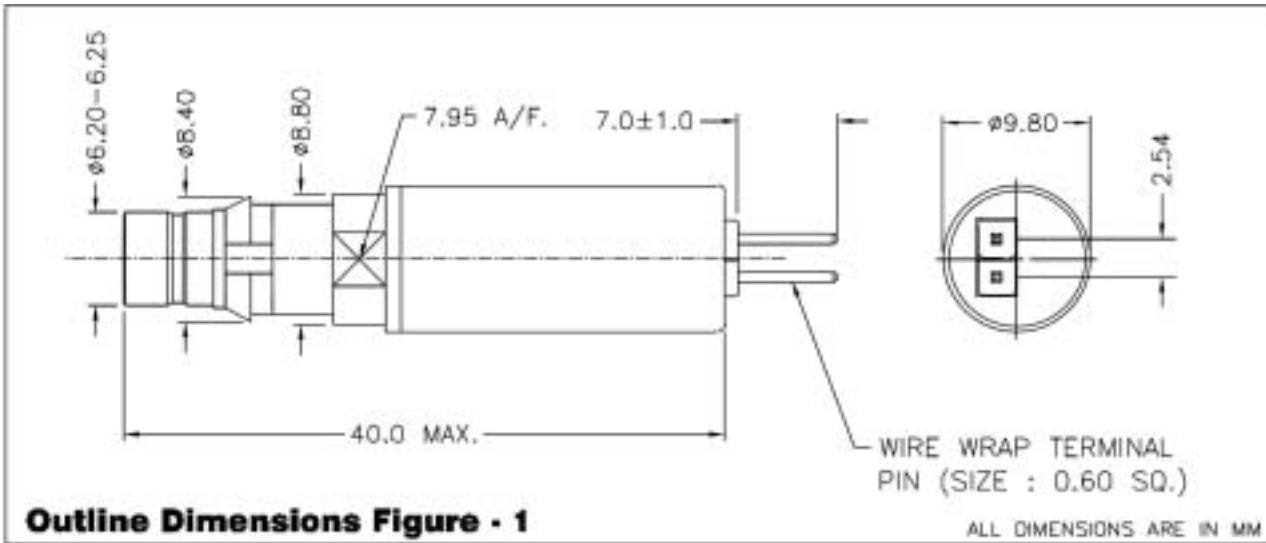
75 – 120 Ohms Converter





75 – 120 Ohms Converter

BALUN



MOUNTING BLOCK TO FIT DDF PANELS
(OUR CODE NO: SE-11-75) ACCEPT UP TO
32 HDC BT 43 MALE CONNECTORS.

ELECTRICAL DATA

Insulation Resistance	1G Ohm @ 1000V DC.
Dielectric Withstanding Voltage	1000 V AC.
Return Loss	Higher than 20dB @ 1MHz
Insertion Loss	Less than 0.50 dB @ V=2.37V peak across 75 Ohm side.

MECHANICAL DATA

Outline Dimensions	As per Figure - 1
Interface	BS 9210F 0022
Connector	BT 43 Male
Axial Force (mating end)	22 N Min.
Repeatability	500 Cycles.

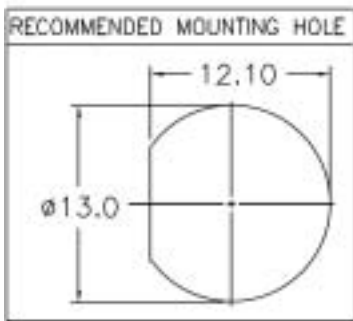
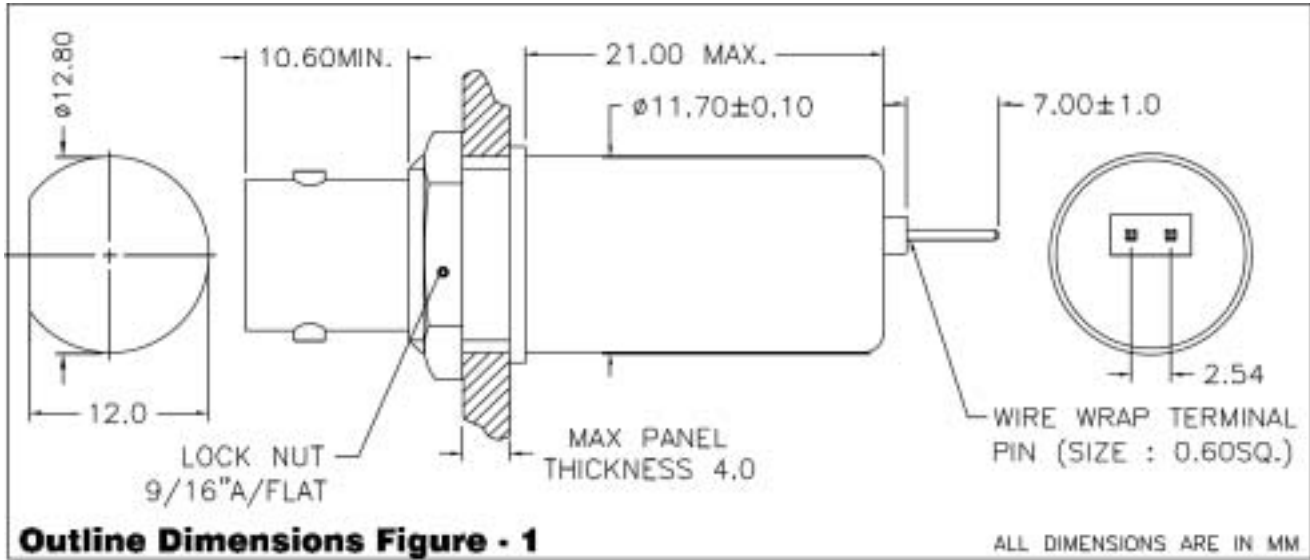
MATERIALS DATA

CONNECTOR PART	MATERIAL	FINISH
Contact Body	Brass	Gold Plated
Body	Brass	Nickel Plated
Center Contact	Brass	Gold Plated
Insulator	P.T.F.E.	Natural
Terminal PIN	Phophor Bronze	Gold Plated
Circlip	PVC / Nylon	Block (Molded)



75 – 120 Ohms Converter

BALUN



ELECTRICAL DATA

Insulation Resistance	1G Ohm @ 1000V DC.
Dielectric Withstanding Voltage	1000 V AC.
Return Loss	Higher than 20dB @ 1MHz
Insertion Loss	Less than 0.50 dB @ V=2.37V peak across 75 Ohm side.

MECHANICAL DATA

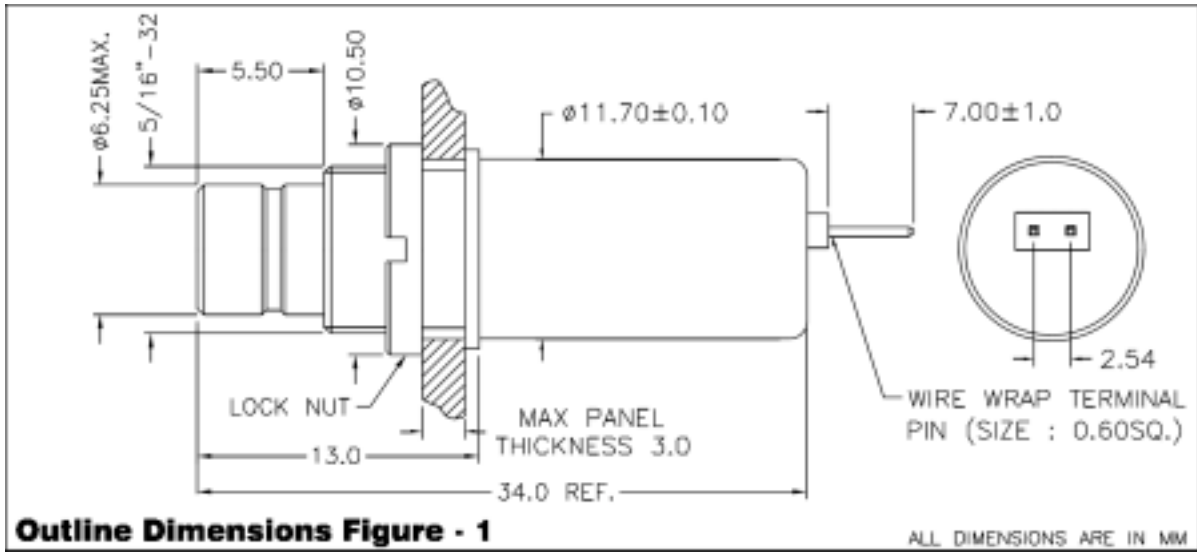
Outline Dimensions	As per Figure - 1
Interface	Asper MIL - STD - 348 Fig. 301.2 BNC (F) Connectors
Connector	BNC Female
Repeatability	500 Cycles.

MATERIALS DATA

CONNECTOR PART	MATERIAL	FINISH
Contact Body Others	Brass	Nickel Plated
Lock Nut	Brass	Nickel Plated
Center Contact	Ber. copper	Gold Plated
Insulator	P.T.F.E.	Natural
Terminal Pin	Phosphor Bronze	Gold Plated



75 – 120 Ohms Converter



BALUN

ELECTRICAL DATA

Insulation Resistance	1G Ohm @ 1000V DC.
Dielectric Withstanding Voltage	1000 V AC.
Return Loss	Higher than 20dB @ 1MHz.
Insertion Loss	Less than 0.50 dB @ V=2.37V peak across 75 Ohm side.

MECHANICAL DATA

Outline Dimensions	As per Figure - 1
Interface	As per BS 9210F 0022
Connector	BT 43 Male
Repeatability	500 Cycles.

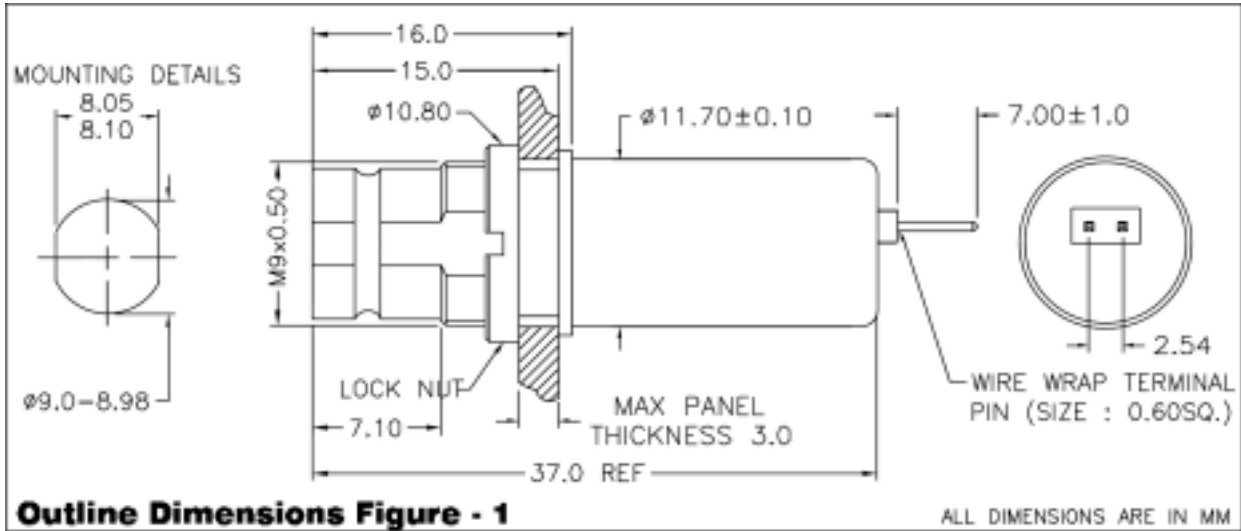
MATERIALS DATA

CONNECTOR PART	MATERIAL	FINISH
Contact Body	Brass	Gold Platted
Lock Nut	Brass	Nickel Plated
Center Contact	Brass	Gold Plated
Insulator	P.T.F.E.	Natural
Terminal Pin	Phosphor Bronze	Gold Plated



75 – 120 Ohms Converter

BALUN



ELECTRICAL DATA

Insulation Resistance	1G Ohm @ 1000V DC.
Dielectric Withstanding Voltage	1000 V AC.
Return Loss	Higher than 20dB @ 1MHz
Insertion Loss	Less than 0.50 dB @ V=2.37V peak across 75 Ohm side.

MECHANICAL DATA

Outline Dimensions	As per Figure - 1
Connector	1.6/5.6 Female
Repeatability	500 Cycles.

MATERIALS DATA

CONNECTOR PART	MATERIAL	FINISH
Connector Body	Brass	Gold Plated
Lock Nut	Brass	Nickel Plated
Center Contact	Ber. copper	Gold Plated
Insulator	P.T.F.E.	Natural
Terminal Pin	Phosphor Bronze	Gold Plated