



T
N
C



TNC Series 50 ohms / 75 ohms connectors are small, weather proof with threaded coupling mechanism, which eliminates shock under vibration. The increased rigidity of the screw Coupling gives the TNC a more consistent performance than the BNC under adverse operating conditions.

The Sricom range of TNC Connectors cover different cable and chassis mounting styles. Sricom TNC Connectors are manufactured to ensure conformity to joint services specifications J 52401 in terms of Electrical performance and mating face requirements. They are fully intermatable with connectors manufactured to meet the US specifications MIL – C 39012.

TNC Connectors are available in both 50 and 75 ohms impedance; TNC series 50 ohms and 75 ohms connectors are intermatable.

MATERIAL

Body & Body Components	Extruded Brass
Centre Contact Male	Extruded Brass
Centre Contact Female	Beryllium Copper
Dielectric	PTFE
Clamp Gaskets	Silicone Rubber
Crimp Ferrule	Annealed Copper

MECHANICAL

Mating	7/ 8" – 28 UNEF
Cable Affixment	Clamp Screw–thread nut and braid clamp
Cable Retention	Clamp : 178 N minimum

TECHNICAL SPECIFICATIONS

ELECTRICAL

Impedance	50 / 75 ohms
Frequency Range	0 – 11 GHz @ 50Ω 0 – 11.5 GHz @ 75Ω
Voltage Rating	500 V Peak
Insulation Resistance	5000 Meg Ohms (Min)
Centre Contact Resistance	1.5 Milli ohms (Max)
Outer Contact	0.2 Milli ohms
Braid to Body	0.1 Milli ohms
Insertion Loss	0.18 dB maximum at 9 GHz
Dielectric Withstanding	1500 Volts RMS at Sea level
VSWR	1.3 : 1 Max

ENVIRONMENTAL

Temp. Range	– 65°C to + 85°C JSS 50101
Shock	JSS 50101 – Test No. 12 MIL Std – 202 Method 202
Vibration	JSS 50101 – Test No. 23 MIL Std – 202 Method 204 (Test Cond. D)
Temp. Cycling	JSS 50101 – Test No. 20 MIL Std – 202 Method 102 (Test Cond. D)

FINISH

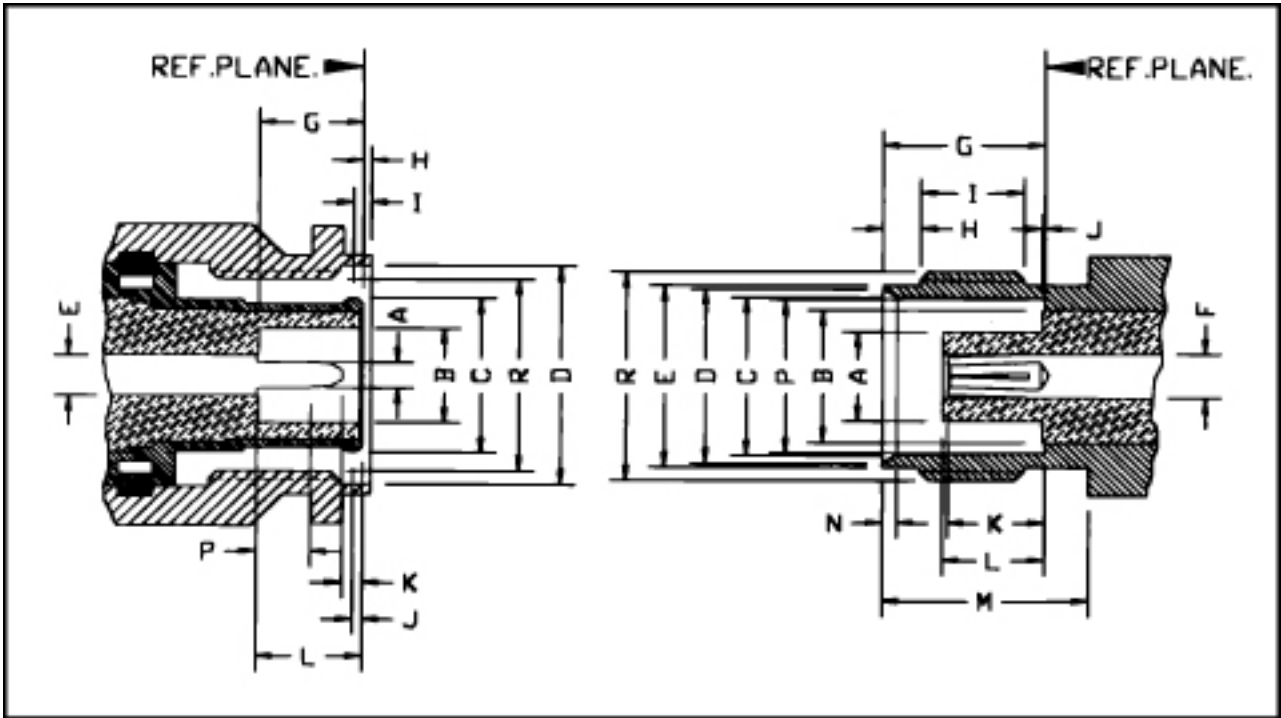
Body	Silver / Nickel
Centre Contacts	Gold



Interface Dimensions – TNC Series

PLUG

JACK



T
N
C

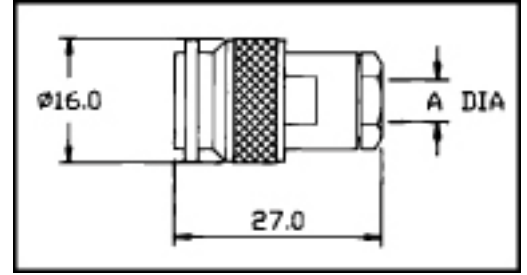
LTR (dim. of)	PLUG		JACK	
	MIN	MAX	MIN	MAX
A	1.32	1.37	-	4.72
B	4.83	-	-	6.50
C	Note 1		8.31	8.46
D	11.18	-	8.76	9.04
E	2.06	2.21	9.60	9.68
F	-	-	2.06	2.21
G	5.28	5.79	8.36	8.46
H	-	1.98	1.73	2.24
I	-	2.08	4.75	-
J	0.15	-	-	0.15
K	0.08	1.02	4.72	5.23
L	5.33	5.84	4.78	5.28
M	-	-	10.56	-
N	-	-	0.38	0.76
P	1.98	-	8.10	8.15
R	7/16"-28-UNEF-28		7/16"-28-UNEF-2A	

Note 1: To meet gauge test

ALL DIMENSIONS ARE IN MM



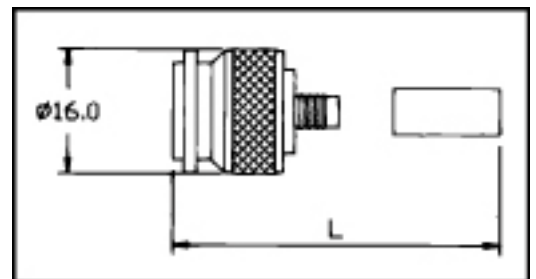
Straight Plug
Clamp Type



Order Code	Impedance Ohms	Cable Group RG/U	Notes	A Dia
SC4 M 01	50	55, 58, 141, 142 223, 303, 400	Captive Contact	5.6
SC4 M 02	75	59, 302	Captive Contact	6.2
SC4 M 12	93	62, 210, 71	Captive Contact	6.6
SC4 M 07	50	174, 188, 316	Captive Contact	2.9
SC4 M 17	75	179, 187	Captive Contact	2.9

For Cable Assembly Refer Fig. B 01

Straight Plug
Crimp Type



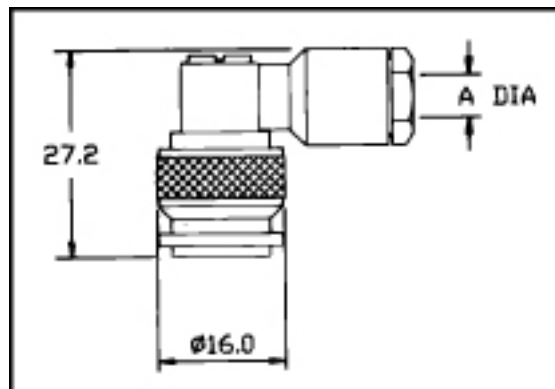
Order	Impedance Ohms	Cable Group RG / U	L Dimn
SC4 M 03	50	55, 58, 141, 142, 223, 303, 400	30.3
SC4 M 05	75	59, 302	28.8
SC4 M 25	93	62, 210, 71	28.8

For Cable Assembly Refer Fig. B 02

T
N
C



Right Angle Plug
Clamp Type

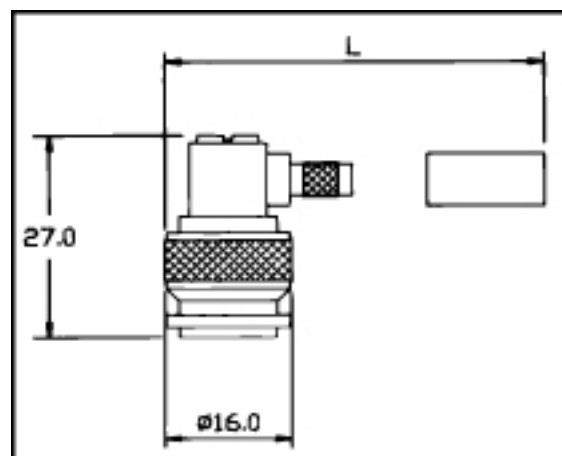


T
N
C

Order Code	Impedance Ohms	Cable Group RG/U	Notes	A Dia
SC4 A 01	50	55, 58, 141, 142 223, 303, 400	Captive Contact	5.6
SC4 A 02	75	59, 302	Captive Contact	6.2
SC4 A 12	93	62, 210, 71	Captive Contact	6.6
SC4 A 07	50	174, 188, 316	Captive Contact	2.9
SC4 A 17	75	179, 187	Captive Contact	2.9

For Cable Assembly Refer Fig. B 03

Right Angle Plug
Crimp Type

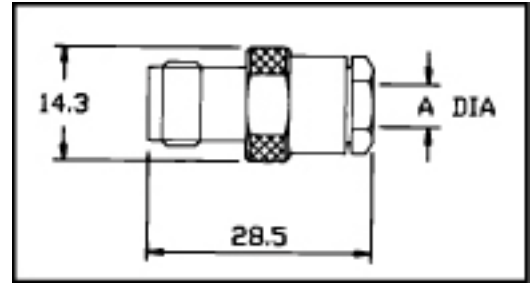


Order	Impedance Ohms	Cable Group RG / U	L Dimn
SC4 A 03	50	55, 58, 141, 142, 223, 303, 400	29.6
SC4 A 05	75	59, 302	27.1
SC4 A 25	93	62, 210, 71	27.1
SC4 A 09	50	174, 188, 316	25.6
SC4 A 19	75	179, 187	25.6

For Cable Assembly Refer Fig. B 04



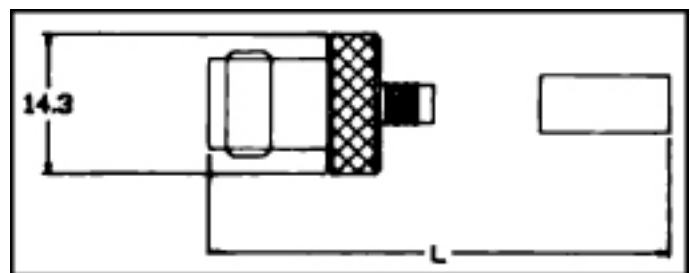
Straight Jack
Clamp Type



Order Code	Impedance Ohms	Cable Group RG/U	Notes	A Dia
SC4 SR 01	50	55, 58, 141, 142 223, 303, 400	Captive Contact	5.6
SC4 SR 02	75	59, 302	Captive Contact	6.2
SC4 SR 12	93	62, 210, 71	Captive Contact	6.6
SC4 SR 07	50	174, 188, 316	Captive Contact	2.9
SC4 SR 17	75	179, 187	Captive Contact	2.9

For Cable Assembly Refer Fig. B 01

Straight Jack
Crimp Type

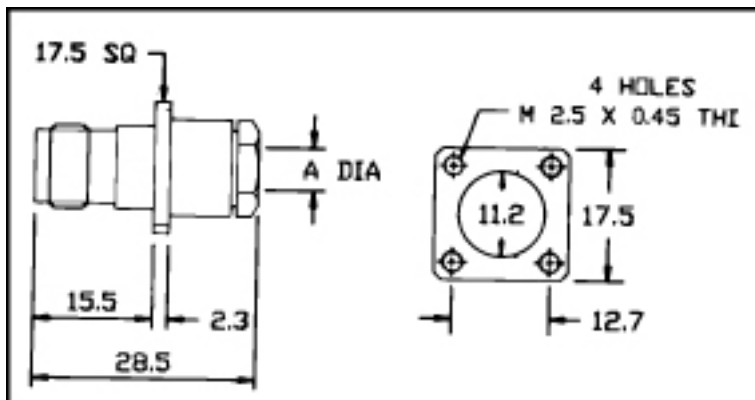


Order	Impedance Ohms	Cable Group RG / U	L Dimn
SC4 SR 03	50	55, 58, 141, 142, 223, 303, 400	32.5
SC4 SR 05	75	59, 302	31.0

For Cable Assembly Refer Fig. B 02



Panel Jack
Clamp Type

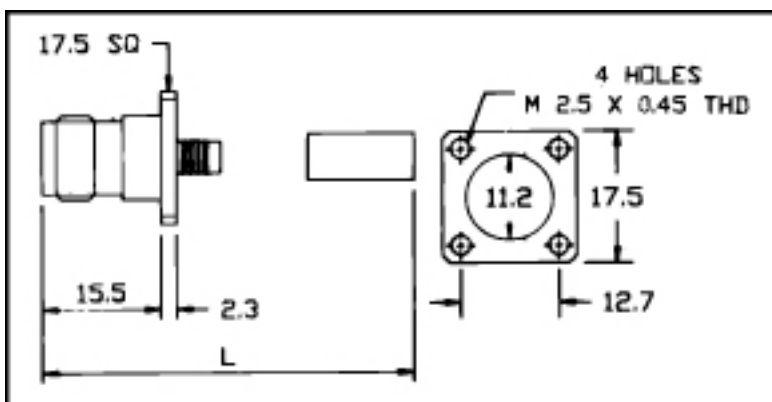


T
N
C

Order Code	Impedance Ohms	Cable Group RG/U	Notes	A Dia
SC4 PR 01	50	55, 58, 141, 142 223, 303, 400	Captive Contact	5.6
SC4 PR 02	75	59, 302	Captive Contact	6.2
SC4 PR 12	93	62, 210, 71	Captive Contact	6.6
SC4 PR 07	50	174, 188, 316	Captive Contact	2.9
SC4 PR 17	75	179, 187	Captive Contact	2.9

For Cable Assembly Refer Fig. B 01

Panel Jack
Crimp Type

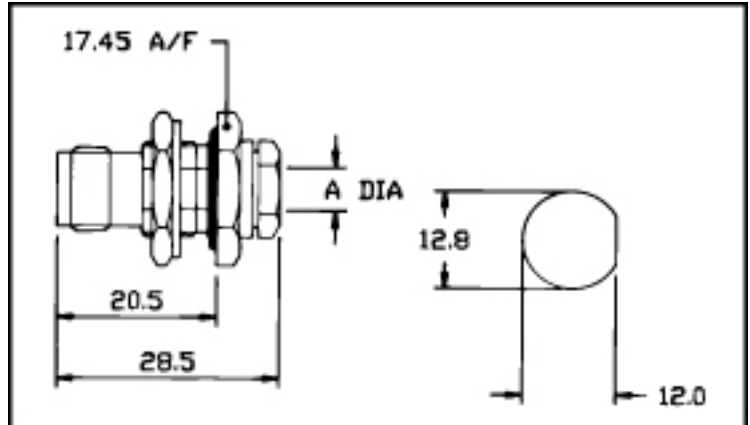


Order	Impedance Ohms	Cable Group RG / U	L Dimn
SC4 PR 03	50	55, 58, 141, 142, 223, 303, 400	32.5
SC4 PR 05	75	59, 302	31.0

For Cable Assembly Refer Fig. B 02



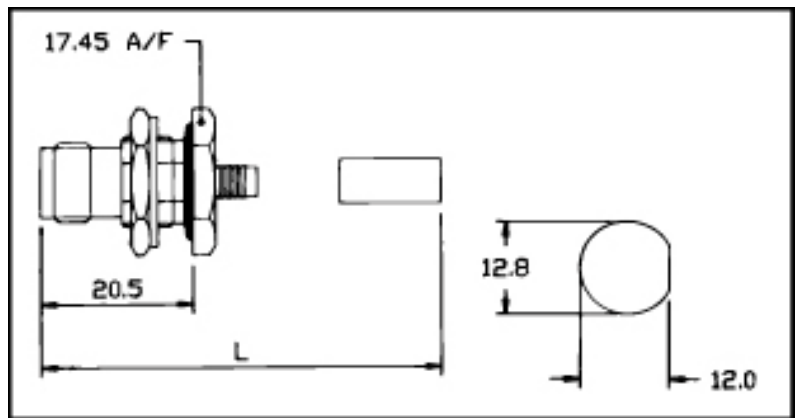
Bulk Head Jack
Clamp Type



Order Code	Impedance Ohms	Cable Group RG/U	Notes	A Dia
SC4 BR 01	50	55, 58, 141, 142 223, 303, 400	Captive Contact	5.6
SC4 BR 02	75	59, 302	Captive Contact	6.2
SC4 BR 12	93	62, 210, 71	Captive Contact	6.6
SC4 BR 07	50	174, 188, 316	Captive Contact	2.9
SC4 BR 17	75	179, 187	Captive Contact	2.9

For Cable Assembly Refer Fig. B 01

Bulk Head Jack
Crimp Type



Order	Impedance Ohms	Cable Group RG / U	L Dimn
SC4 BR 03	50	55, 58, 141, 142, 223, 303, 400	32.5
SC4 BR 05	75	59, 302	31.0
SC4 BR 09	50	174, 188, 316	28.5
SC4 BR 19	75	179, 187	28.5

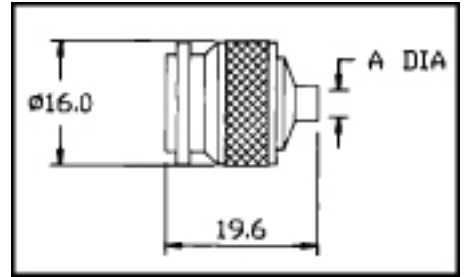
For Cable Assembly Refer Fig. B 02



**Straight Plug
For Semi-Rigid Cable**

Order	Impedance Ohms	Cable Group RG / U	L Dimn
SC4 M 15	50	402	3.58
SC4 M 16	50	405	2.20

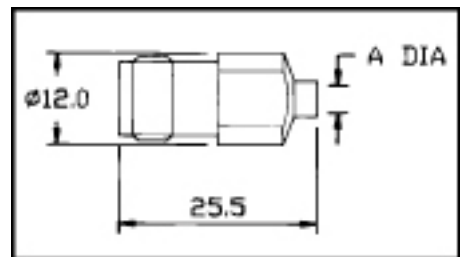
Cable Assembly Ref : D 01



**Straight Plug
For Semi-Rigid Cable**

Order	Impedance Ohms	Cable Group RG / U	L Dimn
SC4 SR 15	50	402	3.58
SC4 SR 16	50	405	2.20

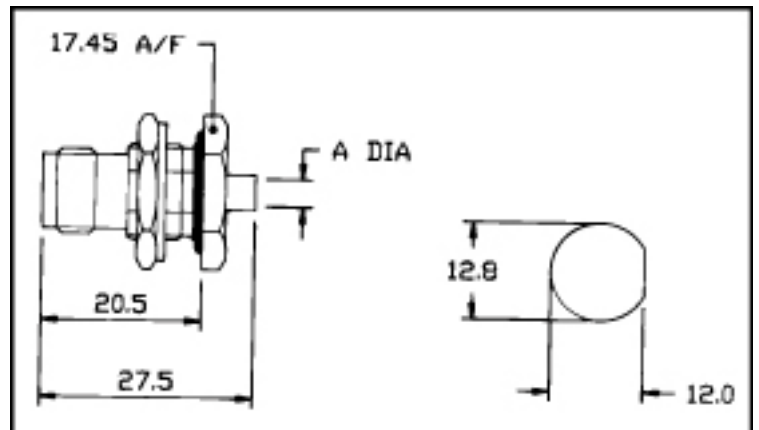
Cable Assembly Ref : D 01



**Bulk/Head Jack
For Semi-Rigid Cable**

Order	Impedance Ohms	Cable Group RG / U	L Dimn
SC4 BR 15	50	402	3.58
SC4 BR 16	50	405	2.20

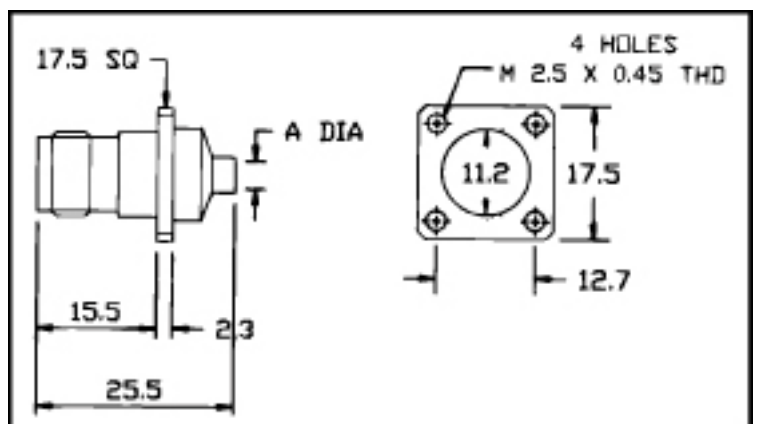
Cable Assembly Ref : D 01



**Panel Jack
For Semi-Rigid Cable**

Order	Impedance Ohms	Cable Group RG / U	L Dimn
SC4 PR 15	50	402	3.58
SC4 PR 16	50	405	2.20

Cable Assembly Ref : D 01



T
N
C



CONTENTS

SEARCH

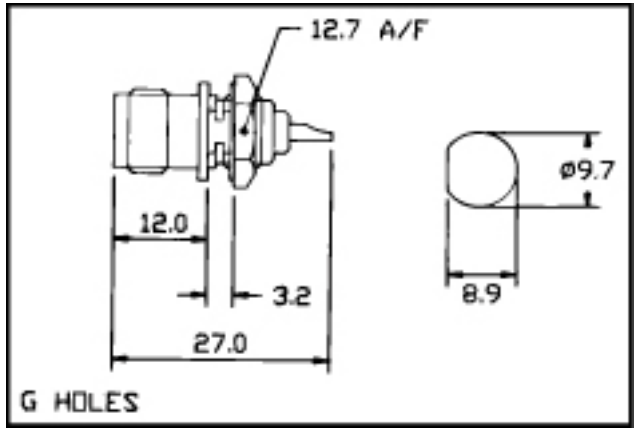
PREVIOUS

NEXT

T
C

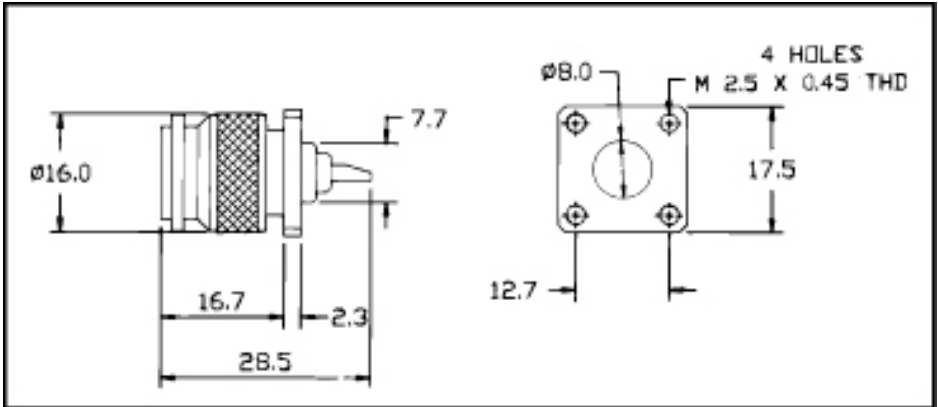
Bulk Head Receptacle, Female

Order Code	Impedance Ohms
SC4 F 01	50
SC4 F 02-75	75



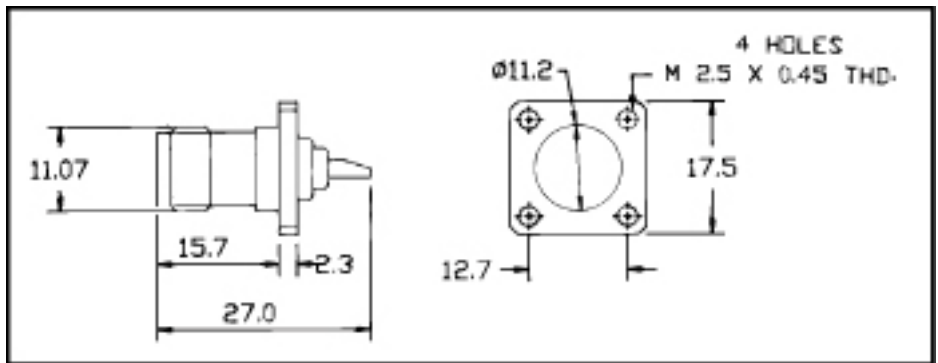
Square Flange Receptacle, Male

Order Code	Impedance Ohms
SC4 PM 01	50
SC4 PM 02	75



Square Flange Receptacle, Female

Order Code	Impedance Ohms
SC4 F 02	50
SC4 F 02 75	75





CONTENTS

SEARCH

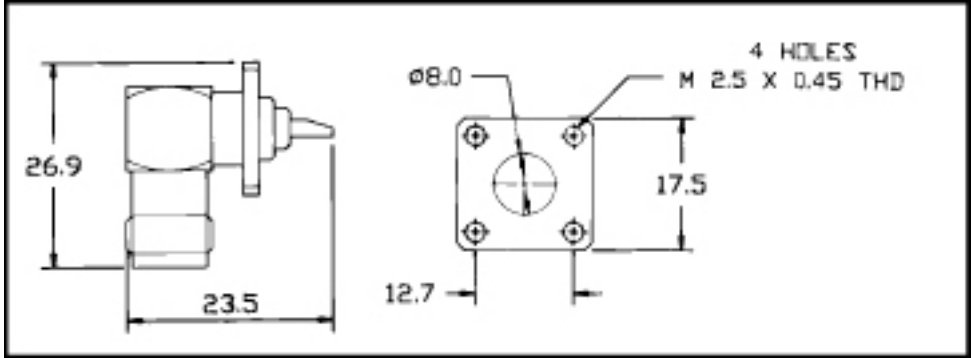
PREVIOUS

NEXT

T
N
C

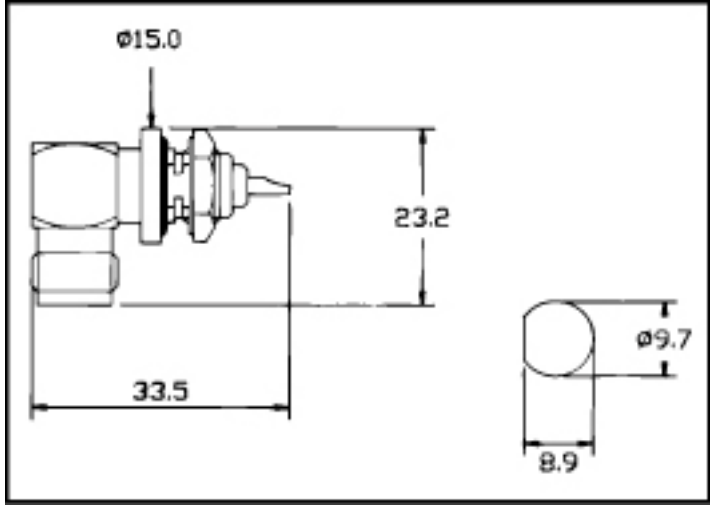
Right Angle Flange Receptacle

Order Code	Impedance Ohms
SC4 AP 01	50
SC4 AP 02	75



Right Angle Flange Receptacle

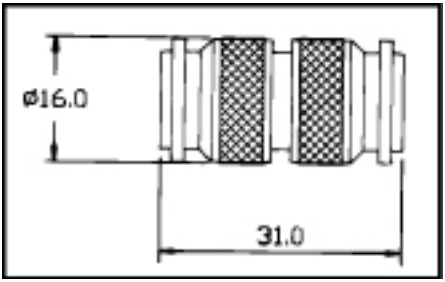
Order Code	Impedance Ohms
SC4 AB 01	50
SC4 AB 02	75



IN SERIES ADAPTORS

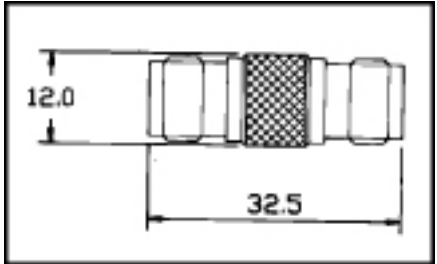
Plug - Plug

Order Code	Impedance Ohms
SC4 MM 01	50
SC4 MM 02	75



Jack - Jack

Order Code	Impedance Ohms
SC4 FF 01	50
SC4 FF 02	75





CONTENTS

SEARCH

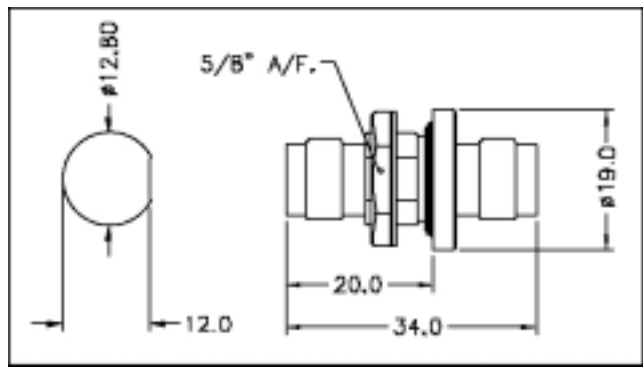
PREVIOUS

NEXT

CONTENTS

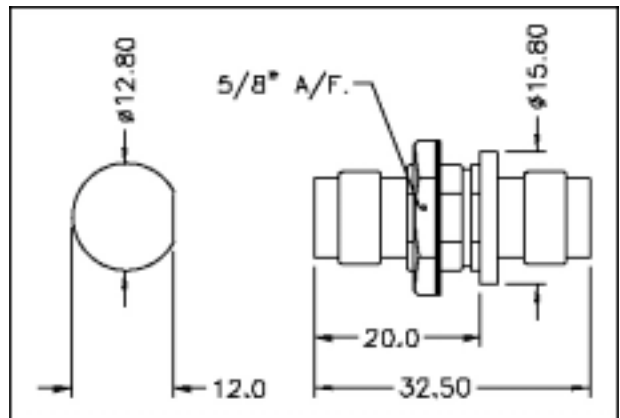
Jack - Jack
Bulk Head Mount
(with 'O' Ring)

Order Code	Impedance Ohms
SC4 FB 01	50
SC4 FB 02	75



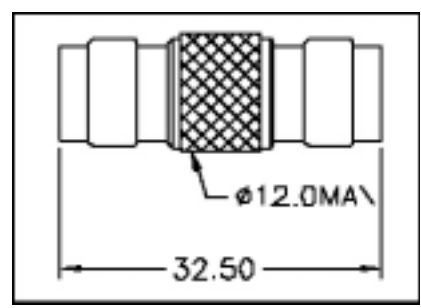
Jack - Jack
Bulk Head Mount

Order Code	Impedance Ohms
SC4 FB 01	50
SC4 FB 02	75



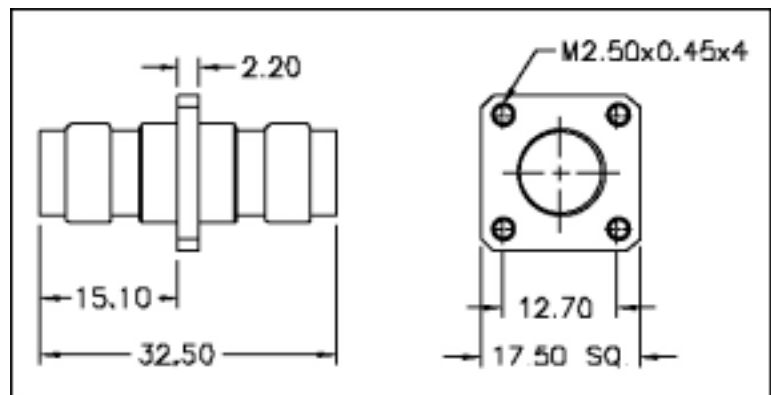
Jack - Jack

Order Code	Impedance Ohms
SC4 FF 01	50
SC4 FF 02	75



Jack - Jack
Square Flange Mount

Order Code	Impedance Ohms
SC4 FP 01	50
SC4 FP 02	75





CONTENTS

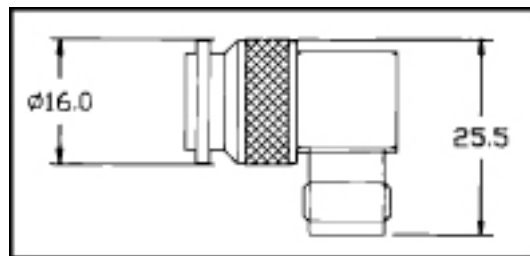
SEARCH

PREVIOUS

NEXT

Right Angle
Plug - Jack

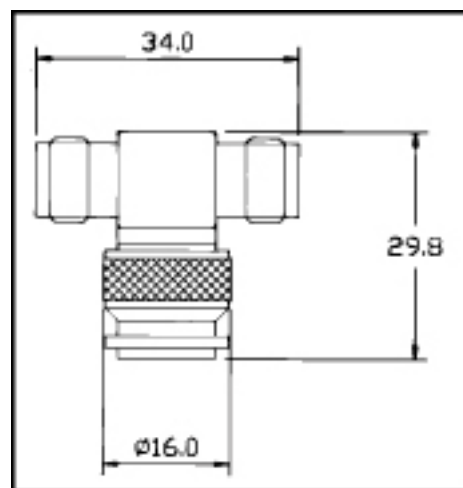
Order Code	Impedance Ohms
SC4 MF 01	50
SC4 MF 02	75



T
N
C

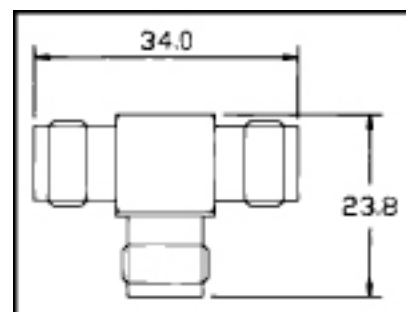
T - Adaptor
Jack - Plug - Jack

Order Code	Impedance Ohms
SC4 T 01	50
SC4 T 11	75



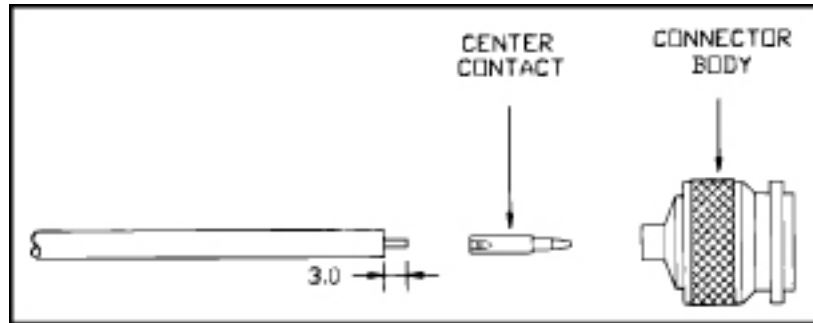
T - Adaptor
Jack - Jack - Jack

Order Code	Impedance Ohms
SC4 T 02	50
SC4 T 12	75





T
N
C



D 01

1. Strip the cable as per dimension shown in figure.
2. Insert the centre conductor of the cable into the centre contact and solder
3. Insert the sub-assembly into the connector body and solder the outer conductor of the cable to the connector body.

Note: A plug body is shown, but these instructions are relevant to both Straight Jack (04 SR 15), Panel Jack (04 RP 15) and Bulkhead Jack (04 B 15)/ The shape of connectors and insulators vary.