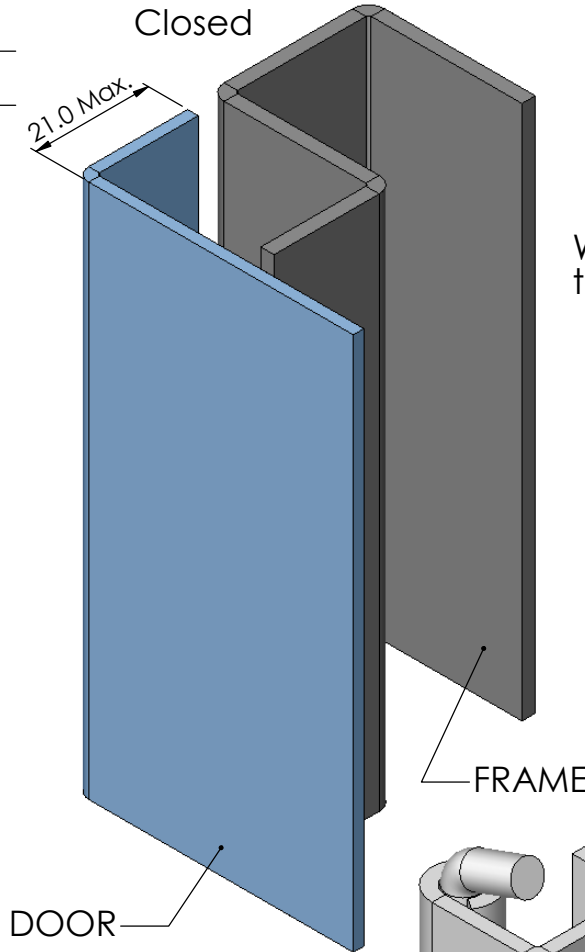
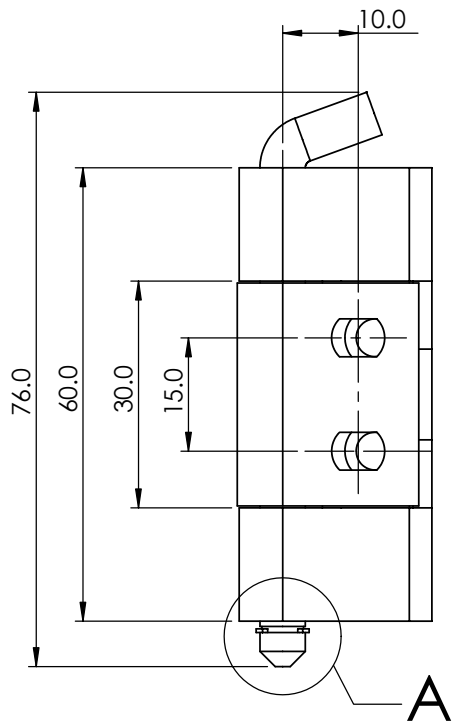
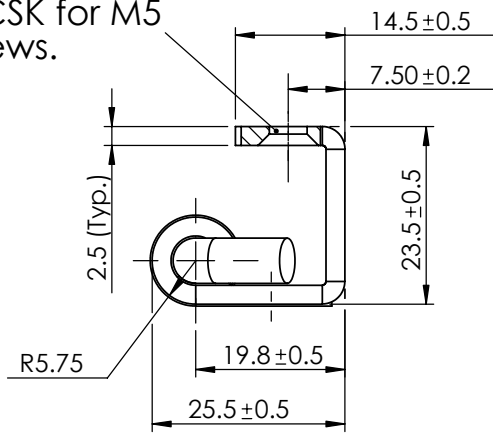


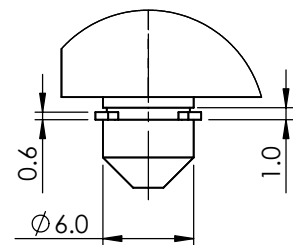
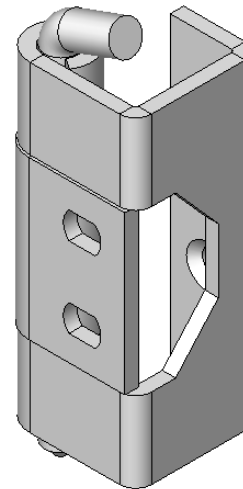
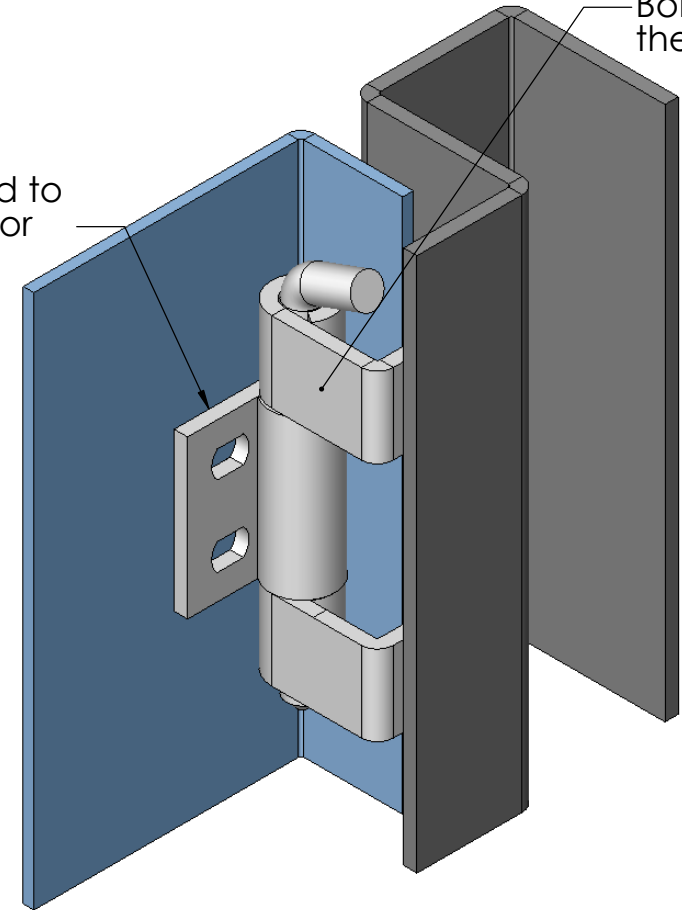
2x CSK for M5  
Screws.



Application Views

Welded to  
the Door

Bolted to  
the Frame



A (2 : 1)

Opening Angle is 120°  
All Dimensions Are In mm.

**DARSHANA**  
INDUSTRIES Pvt. Ltd.  
63, INDUSTRIAL ESTATE, HADAPSAR, PUNE : 411013. INDIA.

Title :- **Concealed Hinge**

Drawing No. DAR-0080      MAT: M.S. Plated

Model No. DHIM-60      Date: 13-05-2003