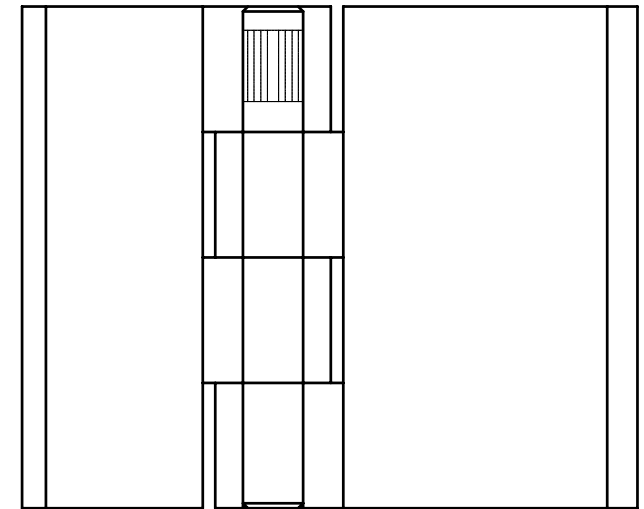
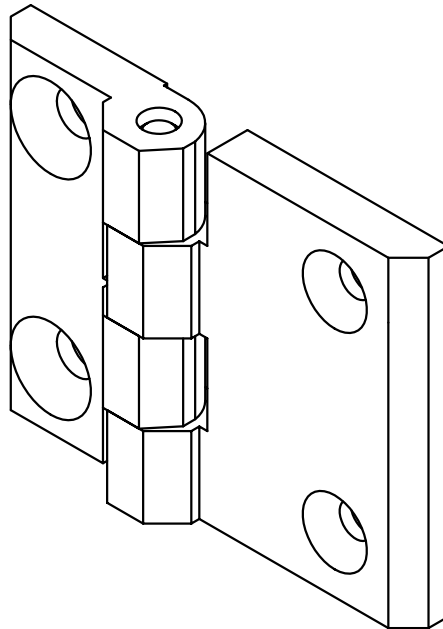
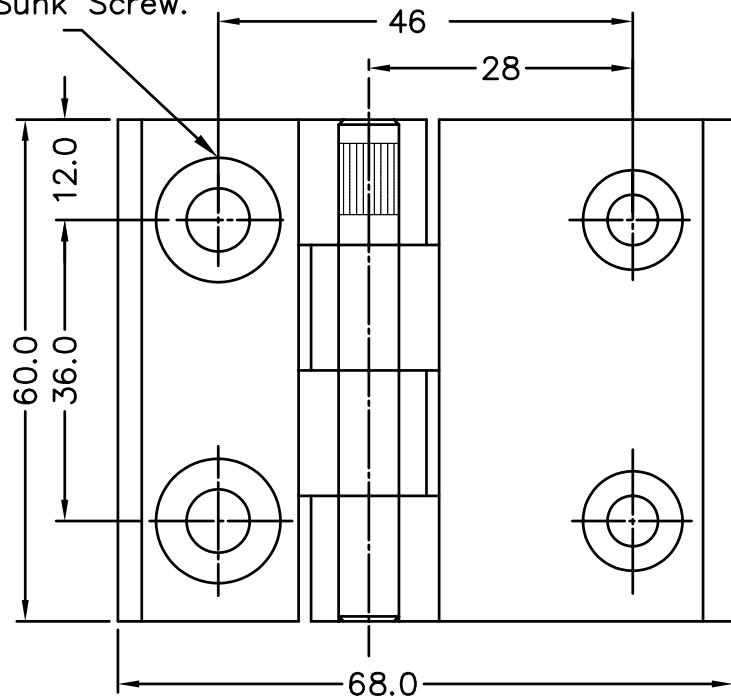


Suitable For M8  
C'Sunk Screw.



Opening Angle 270°  
Pivot Pin is of Stainless Steel.  
All Dimensions Are In mm.

**DARSHANA**  
INDUSTRIES Pvt. Ltd.  
63, INDUSTRIAL ESTATE, HADAPSAR, PUNE : 411013. INDIA.

Title :- **Flat Hinge**

Drawing No. DAR-0083 MAT: Die Cast

Model No. DHFM-68 / DHFM-68-S Date: 10-11-2001